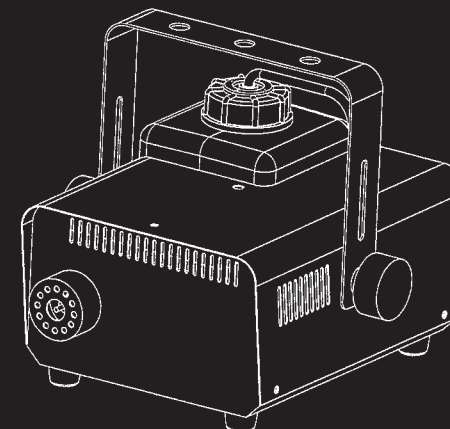


djv[®] BY DJPOWER[®]

[PRO STAGE EFFECTS]



COMPLAINTS E-MAIL: FOG-CAT@126.COM

DF-V9C USER MANUAL
FOG MACHINE

• Foreword

Thank you very much for choosing DJPOWER DF-V9C fog machine. Before start operating, we strongly suggest you to read the user manual carefully. Following the instructions here will ensure your safety while operating the machine, easily achieve the best effect, as well as understand the right way to care for and maintain the machine, hence to prolong the product life cycle.

※ Added with unique electronic fluid sensor!

※ Attention: Can not be hung up, please use it flatwise on the ground!

• Introduction

Hot seller for more than 10 years! New function of no-fluid protection! Anti-aging treatment for PCB to support low failure rate!

• Features

1. Advanced No-fluid protection for safety use;
2. Heating system applied MIRROR patented technology (MIRROR Pipe) to prevent the heater from blockage;
3. Microcomputer electronic temperature control to support constant temperature, after first time heat up, available for output at any time;
4. Optional wireless remote controller W-2;
5. Please use DJPOWER professional fog fluid, other consumables might cause fluid splash or clogging!

• Safety information

1. Keep the fixture dry. For indoor and outdoor used.
2. Use grounded electrical outlet. Prior to use, make sure that unit is installed at the rated voltage.
3. Turn off or unplug when not using it.
4. This machine is not water-proof. Please keep it away from moisture and water. If moisture, water, or fluid gets inside the housing, stop using it.
5. No user serviceable and modifiable parts inside. Do not disassemble the housing and do any modification, otherwise it might cause damage to the unit or danger of burning.
6. For adult use only. Fixture must be installed out of the reach of children. Never leave the unit running unattended. Keep it away from fire, combustible and

A.Fluid injection trouble: Refers to the fog fluid atomizing in the heater pipe of the machine is not good, heater temperature cannot be timely and effective transmit to the fog fluid, fog fluid cannot all atomization and lead to fluid injection

First reason: Using the low quality or counterfeit fog fluid, low quality fog fluid have more impurities, easy to adhere to the pipe wall and hindered temperature transmission result in incomplete atomization caused fluid injection.

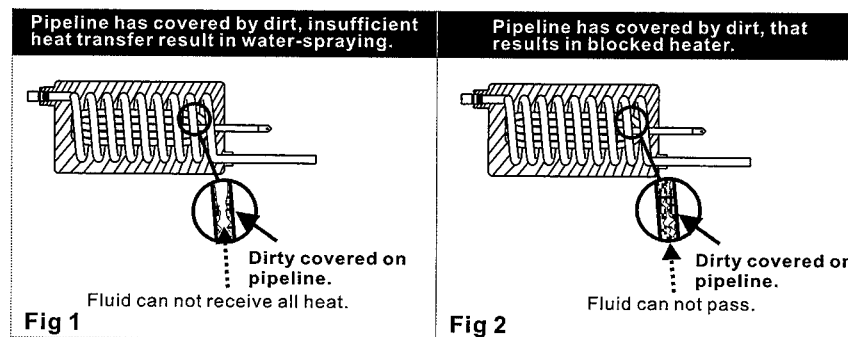
Second reason: using an incorrect fog fluid. Different fog fluid have different required atomization temperature. If you use the wrong fog fluid result in fluid cannot fully atomization caused fluid injection.(fig 1)

B.Heater blocking trouble : poor atomization fluid injection is the early signs of heater block. Using poor quality fog fluid or not timely maintenance cleaning the fog machine for a long time. Inevitable will appear the terminal symptom of heater blocking.

Reason: heater blocked is because used inferior fog fluid or not maintenance for a long time. Have nothing to do with the quality of machine. Like a car with poor quality gasoline produce poor fluid circuit failure or long-time no maintenance the car will inevitably appear bigger problems. (fig 2)

C.Solutions to these problems: fog machine heating pipes used for a long time and then the pipe wall will easily produce sediments (The more inferior fog fluid the more impurities thus lead to fluid injection or blocked). All fog machines need regular maintenance (fog machine maintenance cycle for 1 to 2 months/time). Specific maintenance method: after heating the 35% white vinegar plus 65% distilled water and then spray 10 to 15 times

Conclusion: As long as the fog machine with fluid injection or heater blocking after using a period of time. It was caused by fog fluid quality or lack of maintenance, has nothing to do with the quality of the machine. Please use the original high quality fog fluid and timely maintain it, then it can be used for a long time.



and 65% distilled water.

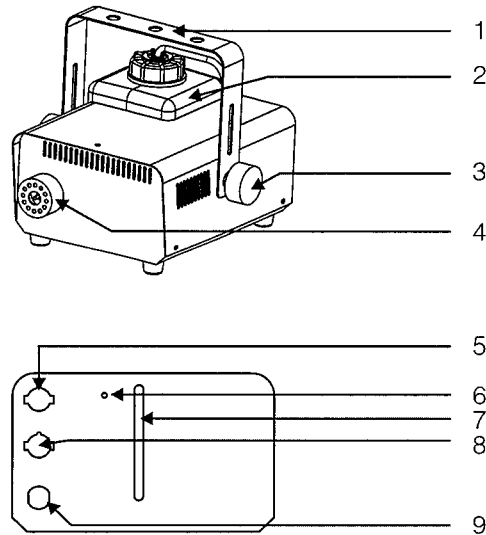
6. Please properly operate the machine comply with user manual.

• **Technical parameters**

Voltage:	AC 220V- 240V 50/60Hz
Fuse:	5A/250V
Power:	750W
Heat-up Time:	4.5min
Output:	6400cuft/min
Fluid Consumption Rate:	31min/L
Wired Controller:	M-1
Wireless Remote Controller:	W-2
Tank Capacity:	1.3L
N.W.:	3.6kg
G.W.:	4kg
Machine Size:	249/249/175(mm)
Package Size:	300/240/230(mm)
Consumables:	DJV-001/D-01

• **Diagram**

1. Hanger Frame
2. Fluid Tank
3. Adjustable Knob
4. Nozzle Of Heater
5. Manual Controller
6. Fluid-less Indicative Lamp
7. Fluid Level Indicate
8. Wireless Controller
9. Power Input



• **Fog machine fluid blowout and heater blocking phenomenon analysis**

Please use the original consumables, protect your health and life of machine

flammable materials.

7. Position the machine in well-ventilated area. Please leave about 50cm spaces surrounding the unit.

8. Please do not use the fixture under high temperature.

9. Never add flammable liquids of any kind (oil, gas, perfume) to the fog liquid.

10. If something wrong happen while using, please stop the fixture immediately, cut off the power, and check the fog liquid amount, fuse, power cable and power plug. If problem could not be resolved, please contact with your dealer.

11. Use only DJPOWER high-quality DJ fog liquid.

12. Never drink liquid. If it is ingested, call a doctor immediately for any discomfort. If liquid comes in contact with skin or eyes, rinse thoroughly with water.

• **Opening the package and inspecting the machine**

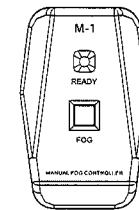
Please make sure the machine is in good condition after opening the package. If there is any damage, please contact with your dealer directly and do not power on the machine

• **What is included:**

1. One DF-V9C fog machine
2. One M-1 controller
3. One suit of W-2 controller
4. One user manual

• **Instruction for use**

◆ **Manual Remote Operation (M-1)**



Mode Dipswitches CH1 1 = On, 2-4 = Off

1. Plug in the fog machine to power.
2. Plug in the M-1 remote to the Manual Controller socket on the rear of the fog machine.
3. Press the single button located on the remote to trigger the fog output.

The button is momentary, which means that the fog machine will only output while the button is pressed. Once the button is released, the fog will stop outputting.

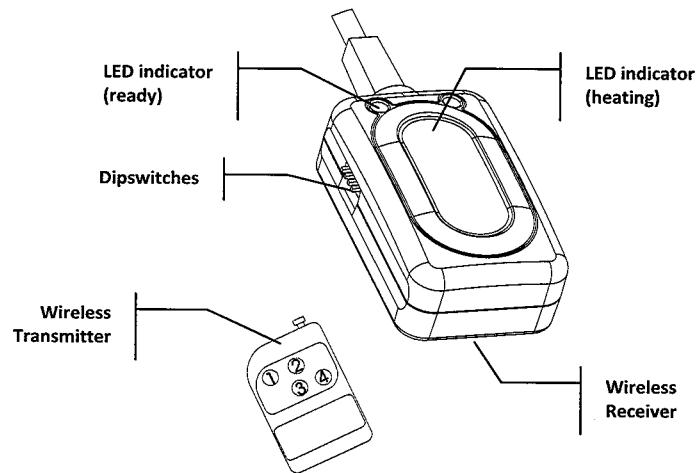
♦ Wireless Controller(W-2) selected

This mode will allow you to control the fogger using the optional wireless controller. This consists of the transmitter and the receiver. You may control up to 4 independent fog machines, or many more if you run them simultaneously. See the below instructions on setting up your fogger to operate with the wireless controller.

1. Plug the wires receiver into the fog machine 5-pin port labeled "Wireless Controller".
2. There are 4 buttons on the wireless remote transmitter which act as triggers. Each button can be assigned to a different fog machine. You may only choose 1 dipswitch on each receiver. See the below configuration for setting the receivers to operate with the transmitter remote.

Mode	Dipswitches	Mode	Dipswitches
CH1	1=On,2-4=Off	CH3	3=On,1,2,4=Off
CH2	2=On,1,3,4=Off	CH4	4=On,1,2,3=Off

3. Press the fog button, and the fog machine will output fog momentarily for as long as you hold down the button.



• Familiar Problem

Symptom	Solution
NO power	Check main power source. Check internal fuse.
NO spraying	Check the height of the fluid. Check the controller. If use wireless remote controller, check the battery.
Breaker/fuse always be burnout	May be short circuited. Please contact with the local agent of DJPOWER for further instructions.
Less smoke	Clean the machine. Check the voltage whether the correct voltage...
Stop heating	Check internal fuse.. Some parts may have damaged. Please contact with the local agent of DJPOWER for further instructions.
Controller stop working	Check the device whether connected well. Try to use another controller, this controller may be damaged. Check internal fuse.
The light displays no oil, but full oil in tank.	Try to restart the machine. Some parts may have damaged. Please contact with the local agent of DJPOWER for further instructions.
If you follow the above instructions but still couldn't solve the problem, please contact with the local agent of DJPOWER.	

• Service and Maintenance

1. Please use DJPOWER fluid. It will prolong the lifetime of machines. To avoid danger, it is not allowed to take machine apart by unprofessional man. Neither to refit the machine.
2. Excessive dust, fluid residue and dirt will degrade performance and cause overheating. Remove dust from air vents with air compressor, vacuum or a soft brush. The casing could be cleaned by the damp cloth.
3. Before storing, run distilled water through the heating system to help avoid blocking the electric heating element.
4. It is recommended to run the machine on a monthly basis in order to achieve best performance and output condition.
5. All smoke machine will be blocked because of the inferior liquid or frequent use. Periodic maintenance is necessary for long term use. After 40 hours continuous working, please spray 10-15 times with the detergent composed of 35% vinegar